

## T23GN

3 User accounts

132 x 64 pixel with white backlit display LCD

3 programmable line/BLF keys

Headset port

Handsfree

Dual Gigabit Ethernet ports



The T23GN is a cost effective IP business phone featuring an intuitive user interface with secure provisioning and HD audio for excellent voice quality. This phone is ideal for those working in small and large office environments requiring Gigabit Ethernet and access to a variety of enhanced features.

# T23GN

## Audio Features

HD voice: HD handset, HD speaker  
Wideband codec: G.722  
Narrowband codec: G.711(A/μ), G.723.1, G.729AB, G.726, iLBC  
DTMF: In-band, Out-of-band(RFC 2833) and SIP INFO  
Full-duplex hands-free speakerphone with AEC  
VAD, CNG, AEC, PLC, AJB, AGC

## Phone Features

3 SIP accounts  
Call hold, mute, DND  
One-touch speed dial, hotline  
Call forward, call waiting, call transfer  
Group listening, SMS  
Redial, call return, auto answer  
Local 3-way conferencing  
Direct IP call without SIP proxy  
Ring tone selection/import/delete  
Set date time manually or automatically  
Dial plan, off hook hot line  
XML Browser, Action URL/URI  
Integrated Screenshots  
RTCP-XR

## Directory

Local phonebook up to 1000 entries  
Black list  
XML/LDAP remote phonebook  
Intelligent search method  
Phonebook search/import/export  
Call history: dialled/received/missed/forwarded

## IP-PBX Features

Busy Lamp Field (BLF)  
Bridged Line Appearance(BLA)  
Anonymous call, anonymous call rejection  
Hot-desking, emergency call  
Message Waiting Indicator (MWI)  
Voice mail, call park, call pickup  
Intercom, paging, music on hold  
Call completion, call recording

## Display and Indicator

132x64-pixel graphical LCD with backlight  
LED for call and message waiting indication  
Dual-colour (red or green) illuminated LEDs for line status information  
Intuitive user interface with icons and soft keys  
National language selection  
Caller ID with name, number

## Feature Keys

3 line keys with LED  
5 features keys: message, headset, redial, transfer, hands-free speakerphone  
6 navigation keys  
Volume control keys

## Interface

Dual-port Gigabit Ethernet  
Power over Ethernet (IEEE 802.3af), class 2  
1xRJ9 (4P4C) handset port  
1xRJ9 (4P4C) headset port

## Other Physical Features

Wall mountable  
External universal AC adapter (optional)  
AC 100~240V input and DC 5V/600mA output  
Power consumption (PSU): 0.72-1.56W  
Power consumption (PoE): 0.96-1.98W  
Dimension(W\*D\*H\*T):  
209mm\*188mm\*150mm\*41mm  
Operating humidity: 10~95%  
Operating temperature: -10~50°C

## Management

Configuration: browser/phone/auto-provision  
Auto provision via FTP/TFTP/HTTP/HTTPS for mass deploy  
Auto-provision with PnP  
Zero-sp-touch  
Phone lock for personal privacy protection  
Reset to factory, reboot  
Packet trace, system log

## Network and Security

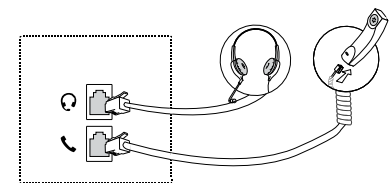
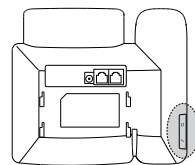
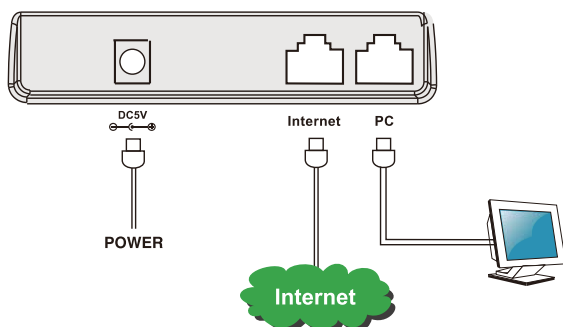
SIP v1 (RFC2543), v2 (RFC3261)  
Call server redundancy supported  
NAT traversal: STUN mode  
Proxy mode and peer-to-peer SIP link mode  
IP assignment: static/DHCP  
HTTP/HTTPS web server  
Time and date synchronisation using SNTP  
UDP/TCP/DNS-SRV(RFC 3263)  
QoS: 802.1p/Q tagging (VLAN), Layer 3 ToS, DSCP

SRTP for voice  
Transport Layer Security (TLS)  
HTTPS certificate manager  
AES encryption for configuration file  
Digest authentication using MD5/MD5-session  
Open VPN v2, IEEE802.1X  
IPv6  
Packet trace, system log

## Package Features

Qty/CTN: 10 PCS  
N.W/CTN: 11.8 kg  
G.W/CTN: 13.0 kg  
Giftbox size: 220mm\*241mm\*105mm  
Carton Meas: 560mm\*460mm\*250mm

## Certifications



**Yealink**  
EASY VoIP

www.InternetVoipPhone.co.uk | sales@internetvoipphone.co.uk | 0800 088 48 46  
Yealink (UK) Ltd, Pennine House, Salford Street, Bury, Lancashire, BL9 6YA, United Kingdom  
Tel: +44 (0)161 763 2060 Email: sales@yealink.co.uk Web: www.yealink.co.uk