

## BT40

**Adds bluetooth headset connectivity to your IP phone**  
**Supported on the Yealink SIP-T46GN, SIP-T48GN phones**  
**Wideband audio support**  
**Answer/Terminate calls through wireless headset**  
**10m Range**



### **USB dongle for Bluetooth headsets**

The Bluetooth USB dongle adds Bluetooth headset connectivity to your IP Phone with a wide variety of Bluetooth Headsets, allowing you to receive calls when you are in the office. Compatible with Bluetooth specification V4.0, back compatible with Bluetooth 1.1, 1.2, 2.0 and 3.0 for wide-ranging use.

# BT40

## Main Features

Bluetooth specification: V4.0+HS system  
Enhanced Data Rate (edr) compliant for both 2Mbps and 3Mbps supported  
A2DP technology  
Wideband audio support  
Operating distance: 10 meters  
Answer incoming calls through Bluetooth headset  
Terminate calls through Bluetooth headset  
Adjusts the volume of Bluetooth headset through Bluetooth headset or your phone  
Multipoint technology for connecting with 4 Bluetooth devices at the same time  
Bluetooth frequency range: 2.402GHz-2.480GHz

## Built-in security

Operation system: Windows 98SE, Windows 2000, Windows XP, Windows Vista etc.  
Low power consumption

## Physical Features

Supports Yealink SIP-T46GN, SIP-T48GN  
USB2.0 interface  
Symbol rate: 3Mbps  
Dimensions: 18mm\*14mm\*5.5mm  
Weight: 2g

## Package Features

Qty/CTN: 40 PCS  
N.W/CTN: 1.6 kg  
G.W/CTN: 2.6 kg  
Giftbox size: 119mm\*113mm\*26mm  
Carton Meas: 310mm\*275mm\*290mm

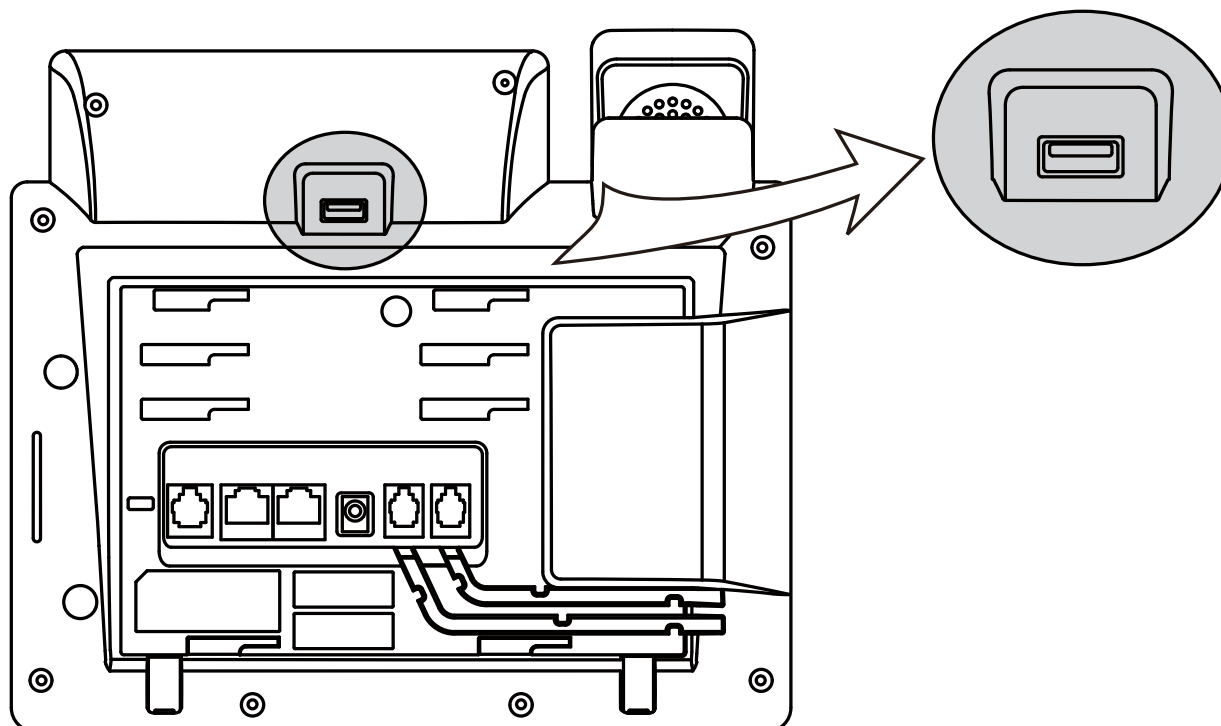
## Certifications



WEEE Compliant



ROHS Compliant



SIP-T46G



SIP-T48G

**Yealink**  
EASY VOIP

[www.InternetVoipPhone.co.uk](http://www.InternetVoipPhone.co.uk) | [sales@internetvoipphone.co.uk](mailto:sales@internetvoipphone.co.uk) | 0800 088 48 46

Yealink (UK) Ltd, Pennine House, Salford Street, Bury, Lancashire, BL9 6YA, United Kingdom

Tel: +44 (0)161 763 2060 Email: [sales@yealink.co.uk](mailto:sales@yealink.co.uk) Web: [www.yealink.co.uk](http://www.yealink.co.uk)

Due to our policy of continuous product improvement, all specifications may be subject to change without prior notice